

GD14 Mini Slam Latch

Features

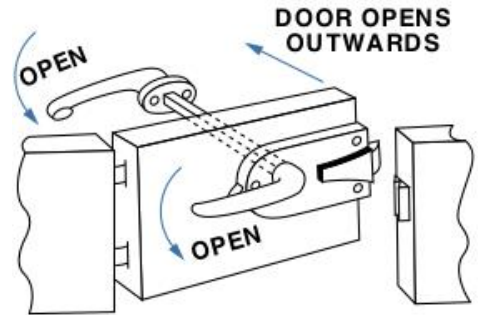
- Normally used with our exterior locking handles, the latches can be slammed shut without damage, even when the handle (or safety catch) is in 'locked' position
- Suitable for auxiliary compartment doors and off-road vehicles
- Latch slams against striker plate, bolt is released by action of follow-bush
- Latches are 'handed' LH / RH by direction of rotation of bush, as shown
- Safety catch (when fitted) prevents operation from outside, but allows latch to slam as normal

Material

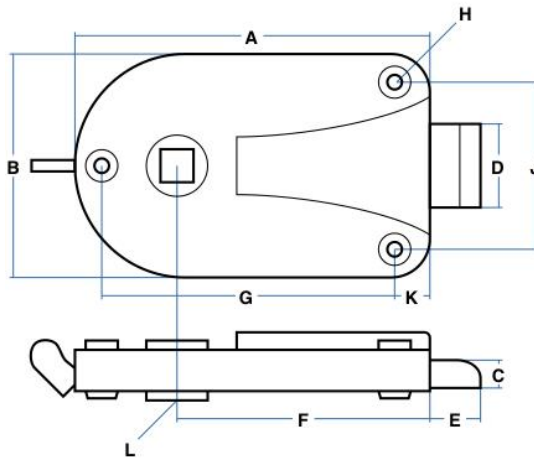
- Body: Steel, bright zinc plated
- Bolt: Brass
- Safety catch: Steel, chromium plated

Notes

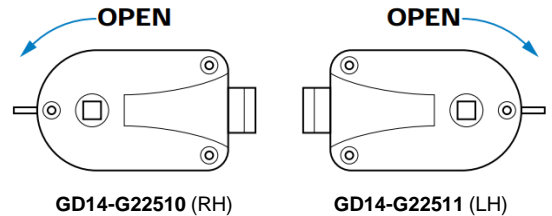
- Fully plant-on fixing by bolts or rivets through three 5 mm holes as shown.
- Total bolt withdrawal: 15 mm
- Total bush movement: 45°
- Minimum load for full bolt retraction: 6 kg
- Use with any of our outside handles, with 8 mm square shaft. Inside handle mounts directly onto through-shaft.
- Suggested striker plate is **G27106** (sold separately)



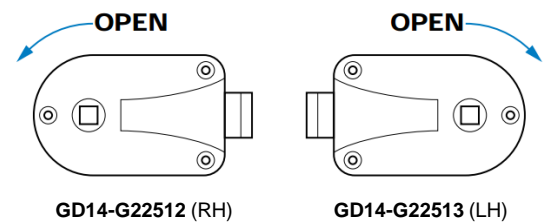
TYPICAL INSTALLATION -
RIGHT-SIDE DOOR



Models with safety catch



Models without safety catch



Part No.	Type	Safety Catch	A	B	C	D	E	F	G	H	J	K	L
GD14-G22510	RH	With	95	60	16	22	18	66	77	5, c/s 9	43	10	4
GD14-G22511	LH												
GD14-G22512	RH	Without											
GD14-G22513	LH												